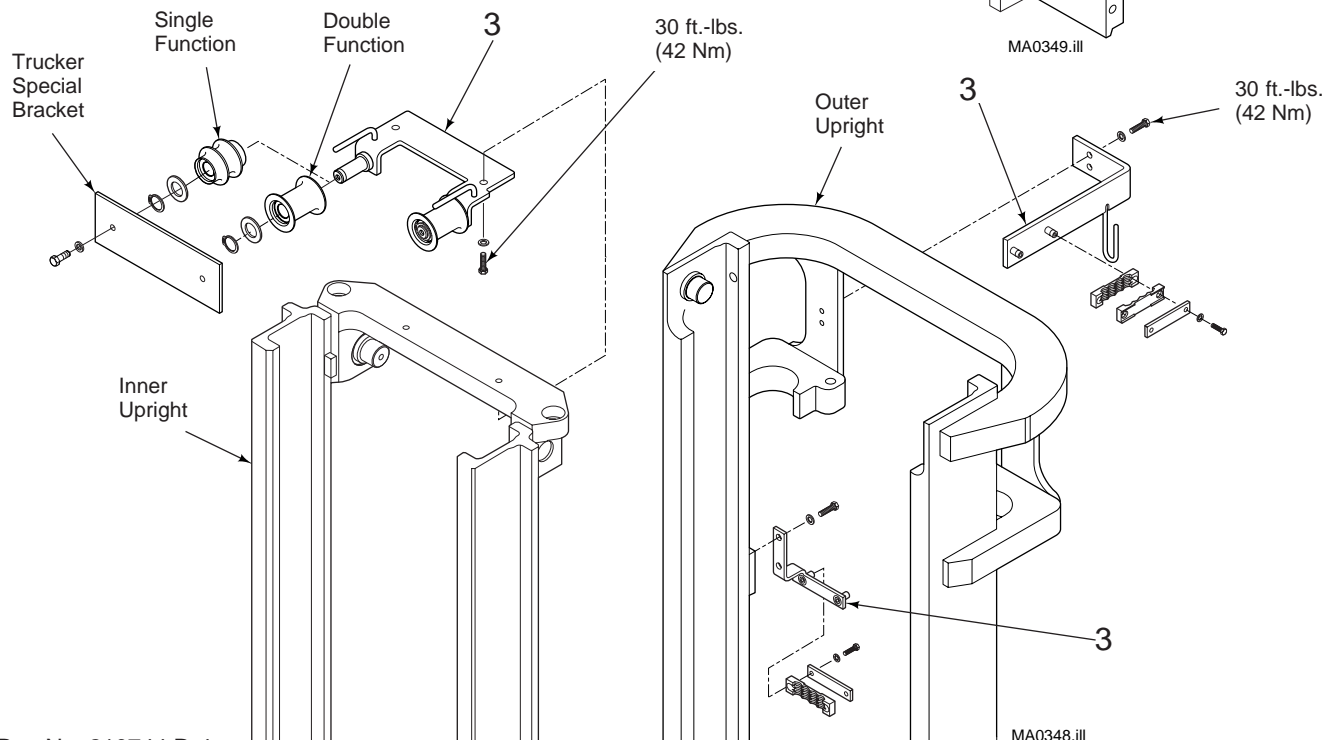
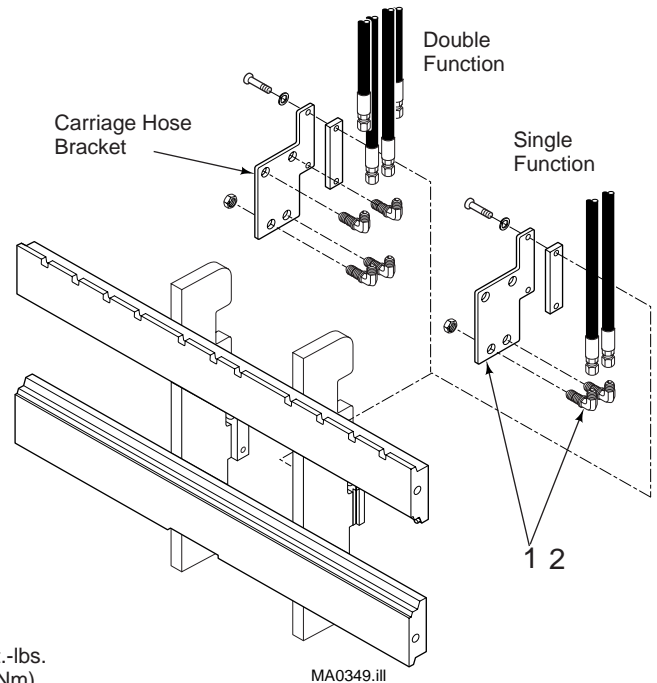


# Installation Instructions

## 30D and 50D MS Mast Internal Reeving Kits

This sheet describes the field installation of 30D and 50D MS Mast internal reeving kits.

- 1 Install fittings and hose ends to the carriage hose bracket. For single function (two hoses), install the fittings and hoses to the lower two holes in the bracket.
- 2 Install the carriage hose bracket and spacer to the left hand carriage chain anchor plate. Tighten the cap-screws to a torque of 20 ft.-lbs. (27 Nm).
- 3 Install the brackets, hose clamps and sheaves to the uprights. Tighten the bracket capscrews to a torque of 30 ft.-lbs. (42 Nm).



Part No. 210744 R-4

For Technical Support . . .

Call: 1-888-946-3330

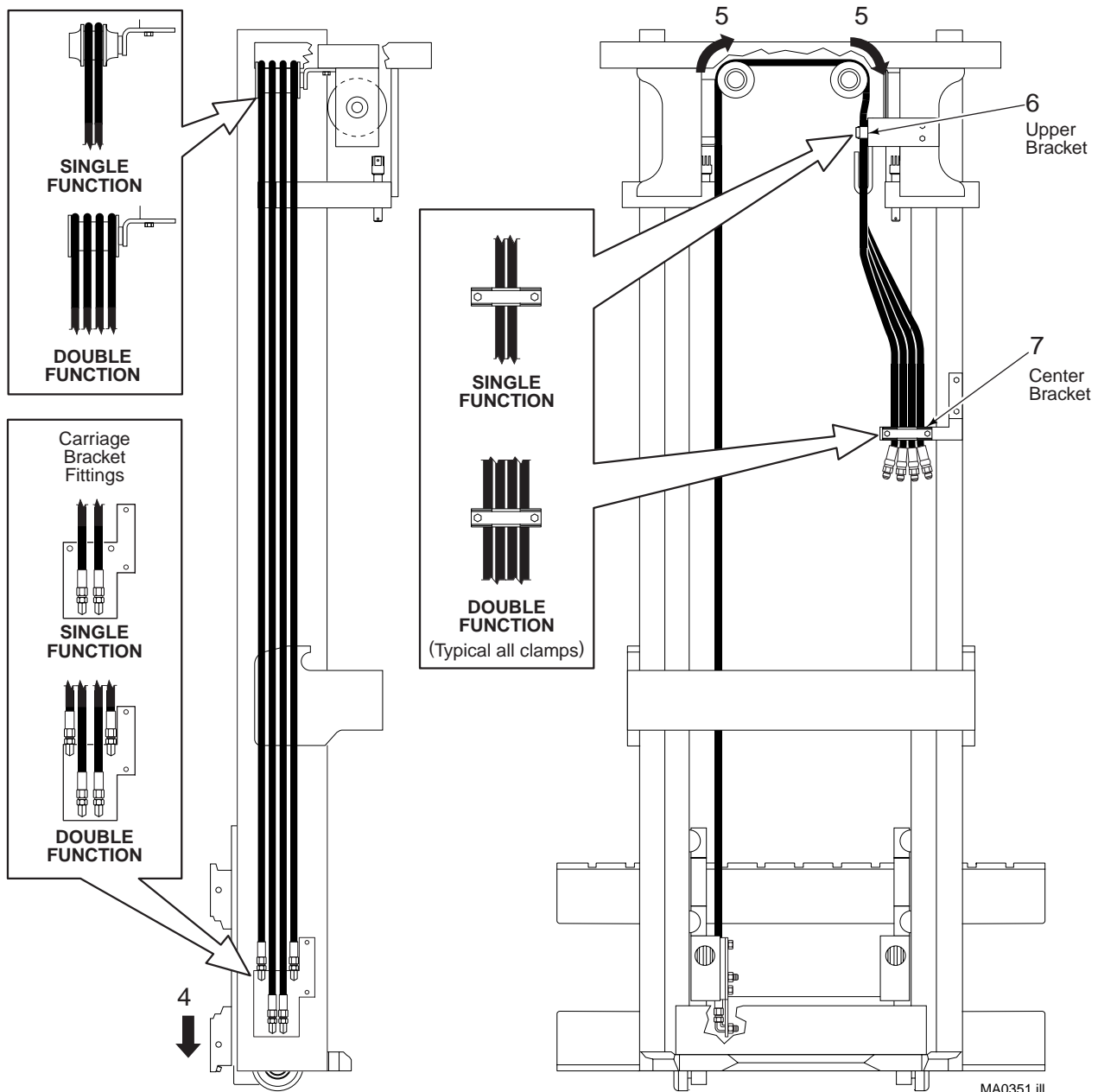
OR

Write: Lift Technologies, Inc., 7040 South Hwy 11, Westminster, S.C.

To Order Parts . . .

Call: 1-888-946-3330

**LIFT-TEK**  
**ELECAR**  
MASTS  
Lift Technologies



- 4 Completely lower the carriage.
- 5 Route the hoses up and over the upper hose sheaves and then down to the upper hose bracket. Orient the hoses with the natural curve over the sheaves.
- 6 Assemble the clamp and hoses to the upper bracket leaving the capscrews finger tight. Pull down on the hoses with 80 lbs. force to remove slack, then tighten the clamp capscrews to a torque of 11 ft.-lbs. (15 Nm).
- 7 Attach the hose ends to the center hose bracket aligning the hoses with their natural curve. Tighten the clamp capscrews to a torque of 11 ft.-lbs. (15 Nm).
- 8 Raise and lower the mast slowly through several cycles checking for proper hose alignment, clearances and hose tracking.