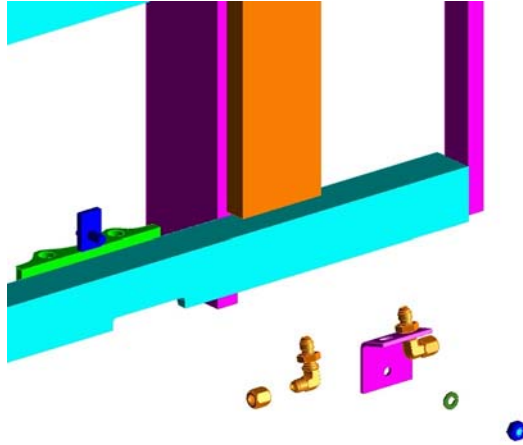


LIFT TECHNOLOGIES, INC.

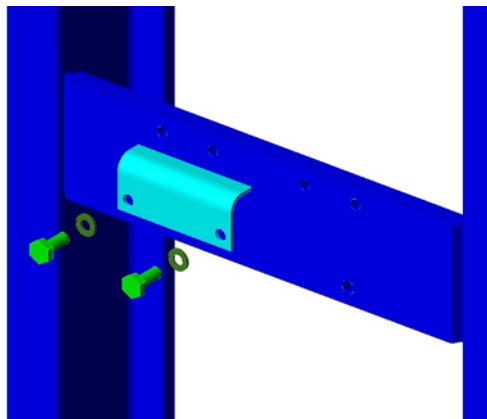
1. Install fittings and caps onto carriage termination bracket and install carriage termination bracket to carriage as shown:



2. Assemble crosshead sheaves and guards as shown:



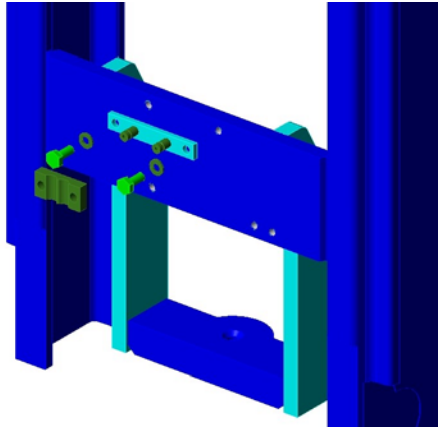
3. Install bracket on middle inner crossmember as shown:



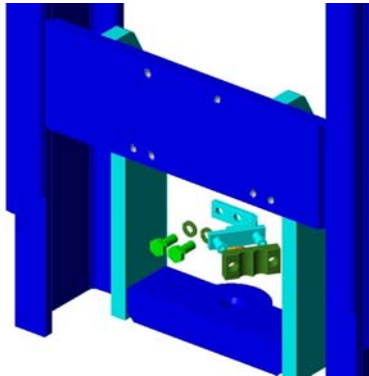
ENC: 1464	GENERIC SINGLE IHR INSTALLATION INSTALLATION INSTRUCTIONS	DATE: 1/25/02
BY: MDODD		APP: BRIVES
CHANGE: RELEASE		245161 R0
Page 1 of 3		

LIFT TECHNOLOGIES, INC.

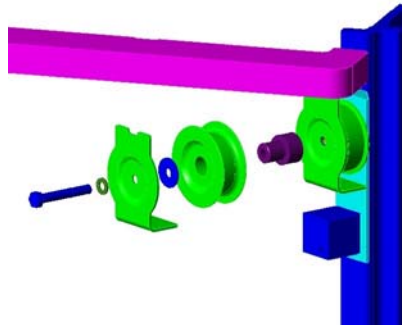
4. Install upper bracket and one clamp piece on lower inner crossmember as shown:



5. Install lower bracket and one clamp piece on lower inner crossmember as shown:



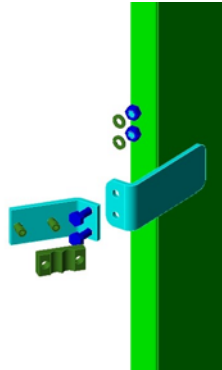
6. Install guard and sheave onto upper intermediate stubshaft as shown:



ENC: 1464	GENERIC SINGLE IHR INSTALLATION INSTALLATION INSTRUCTIONS	DATE: 1/25/02
BY: MDODD		APP: BRIVES
CHANGE: RELEASE		245161 R0
Page 2 of 3		

LIFT TECHNOLOGIES, INC.

7. Install bracket and one clamp piece on outer IHR tab as shown:



8. Attach hoses to fittings on carriage termination bracket
9. Route hoses over crosshead and down over middle inner guard.
10. Route hoses through clamp piece on top lower inner bracket and install second clamp piece, coverplate and bolts loosely.
11. Pull hoses to proper tension and tighten clamp bolts.
12. Route hoses to second bracket on lower inner (right hose to outboard slot on clamp piece and left hose to inboard slot on clamp piece) with gentle loop and install second clamp piece, coverplate and bolt tightly.
13. Route hoses up through sheave on upper intermediate
14. Route hoses through clamp piece on outer bracket and install second clamp piece, coverplate and bolts loosely.
15. Pull hoses to proper tension and tighten clamp bolts.

ENC: 1464	GENERIC	DATE: 1/25/02
BY: MDODD	SINGLE IHR INSTALLATION	APP: BRIVES
CHANGE: RELEASE	INSTALLATION INSTRUCTIONS	245161 R0
Page 3 of 3		