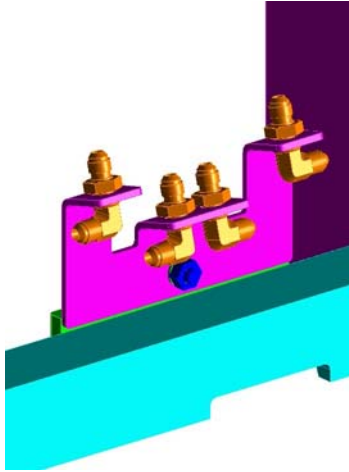
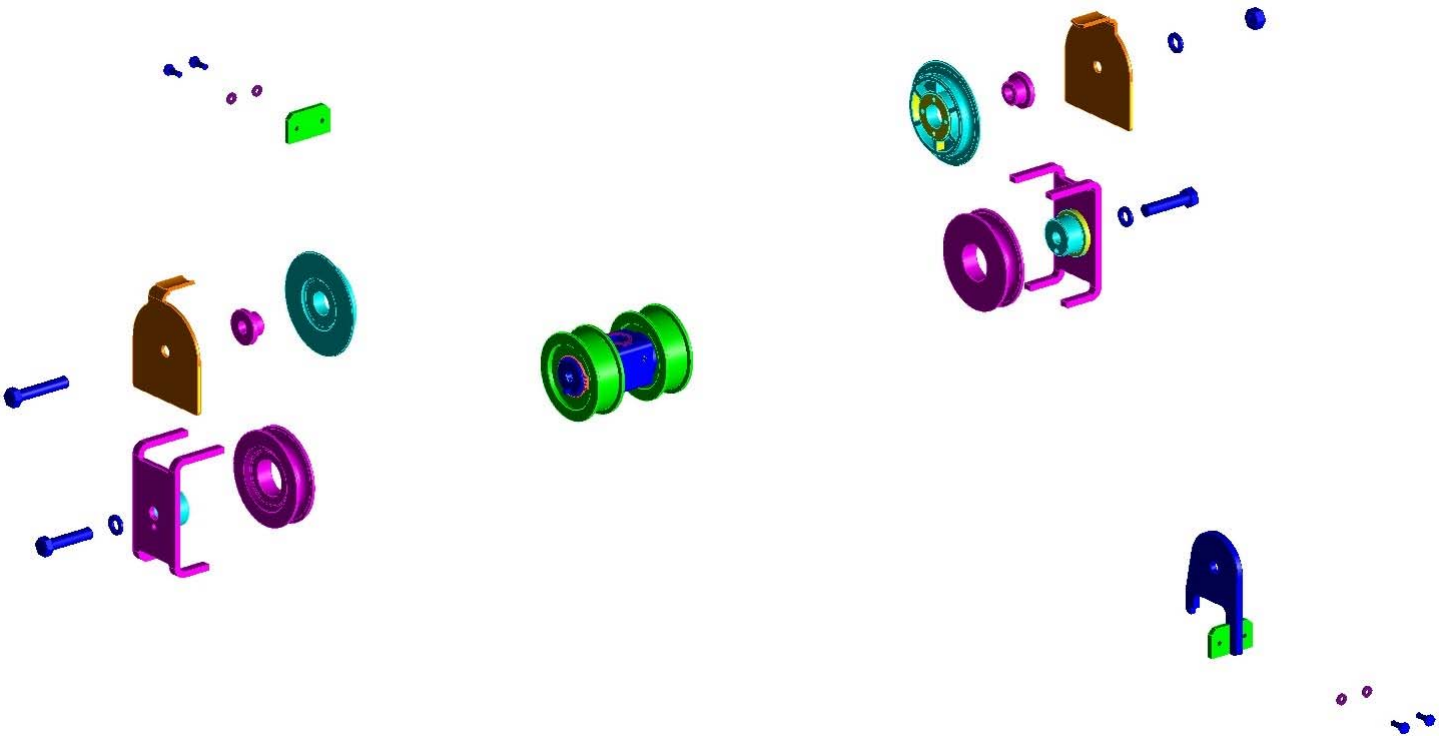


# LIFT TECHNOLOGIES, INC.

1. Install fittings and caps to the carriage termination bracket and install bracket to carriage as shown.



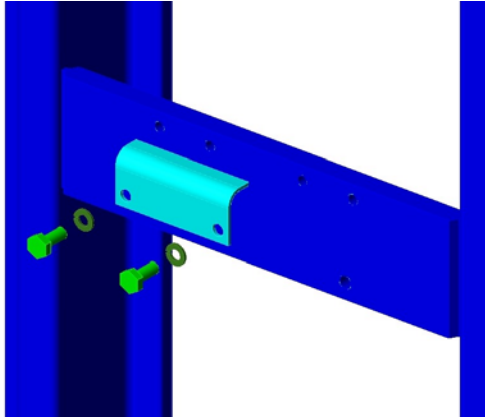
2. Assemble crosshead sheaves and guards as shown:



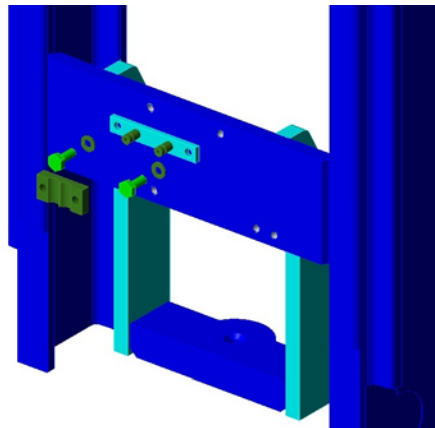
ENC: 1464	GENERIC DOUBLE IHR INSTALLATION INSTALLATION INSTRUCTIONS	DATE: 1/25/02
BY: MDODD		APP: BRIVES
CHANGE: RELEASE		245162 R0
Page 1 of 6		

# LIFT TECHNOLOGIES, INC.

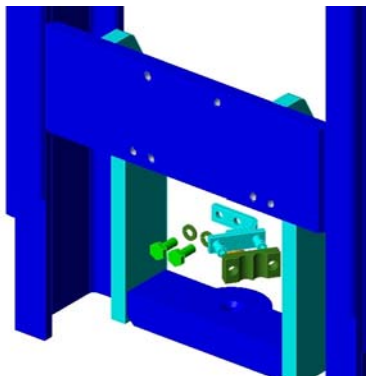
3. Install bracket on middle inner crossmember as shown:



4. Install upper bracket and one clamp piece on lower inner crossmember as shown:



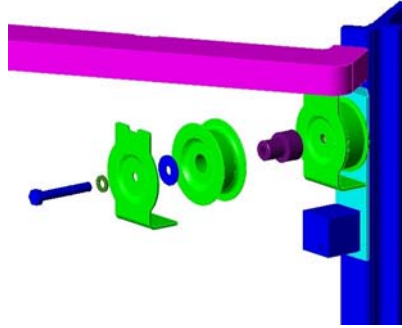
5. Install lower bracket and one clamp piece on lower inner crossmember as shown:



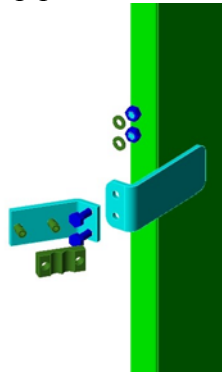
ENC: 1464	GENERIC DOUBLE IHR INSTALLATION INSTALLATION INSTRUCTIONS	DATE: 1/25/02
BY: MDODD		APP: BRIVES
CHANGE: RELEASE		245162 R0
Page 2 of 6		

# LIFT TECHNOLOGIES, INC.

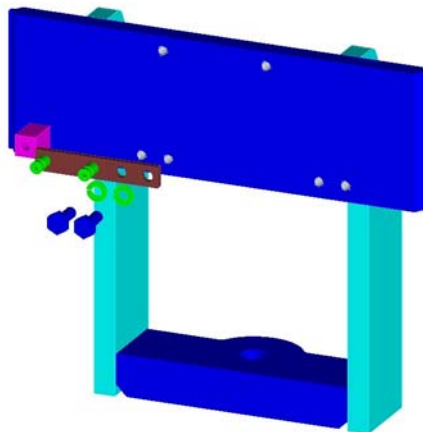
6. Install guard and sheave onto upper intermediate stubshaft as shown:



7. Install bracket and one clamp piece on outer IHR tab as shown:



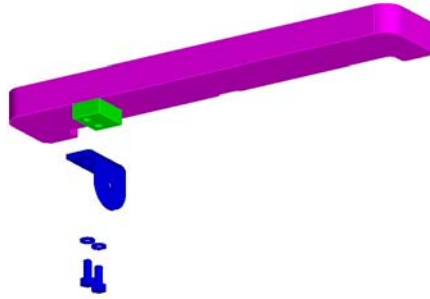
8. Install lower left bracket and one clamp on the lower inner crossmember as shown:



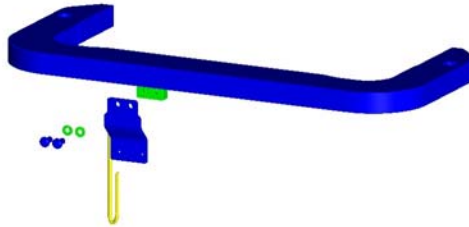
ENC: 1464	GENERIC DOUBLE IHR INSTALLATION INSTALLATION INSTRUCTIONS	DATE: 1/25/02
BY: MDODD		APP: BRIVES
CHANGE: RELEASE		245162 R0
Page 3 of 6		

# LIFT TECHNOLOGIES, INC.

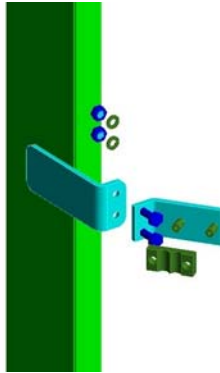
9. Install bracket on the upper intermediate crossmember as shown:



10. Install bracket to the bottom of the upper outer crossmember as shown:



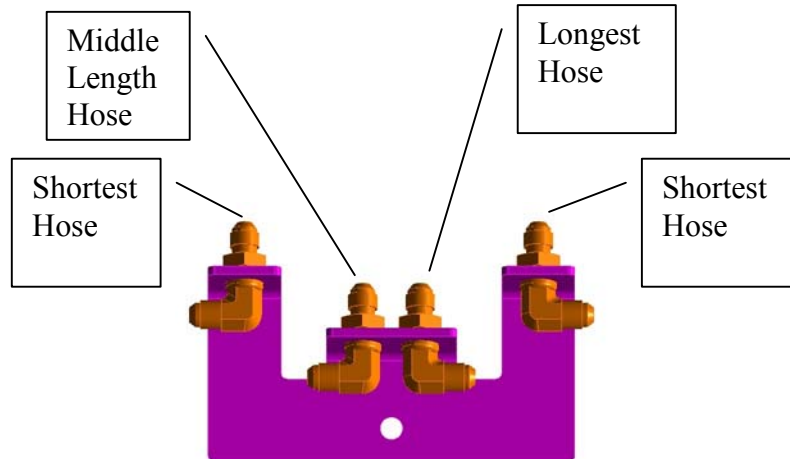
11. Install bracket and one clamp piece on outer IHR tab as shown:



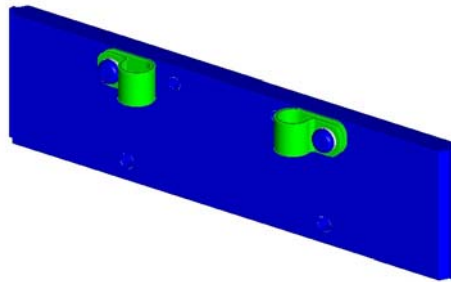
ENC: 1464	GENERIC DOUBLE IHR INSTALLATION INSTALLATION INSTRUCTIONS	DATE: 1/25/02
BY: MDODD		APP: BRIVES
CHANGE: RELEASE		245162 R0
Page 4 of 6		

# LIFT TECHNOLOGIES, INC.

12. Attach hoses to the carriage termination bracket fittings as shown:



13. Route outside hoses over outside sheaves on crosshead and route middle hoses over sheaves above crosshead.
14. Route middle hoses over crosshead and down over middle inner guard.
15. Route hoses through clamp piece on top lower inner bracket and install second clamp piece, coverplate and bolts loosely.
16. Pull hoses to proper tension and tighten clamp bolts.
17. Pull outside hoses down to middle inner crossmember, place hose clamps on hoses.
18. Pull hoses to proper tension and attach clamps to middle inner crossmember as shown:

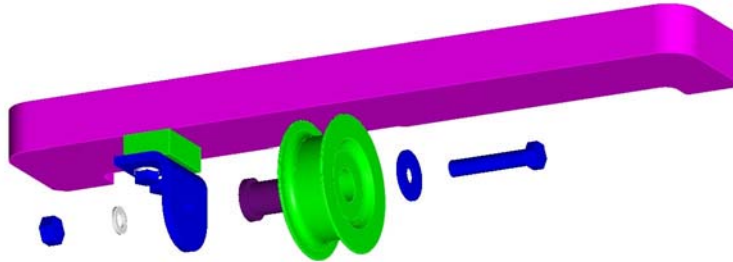


19. Route the outside right hose in front of the lower crossmember and the middle right hose behind the lower to second bracket on lower inner (middle hose to inboard slot on clamp piece and outside hose to outboard slot on clamp piece) with gentle loop and install second clamp piece, coverplate and bolt tightly.
20. Route hoses up through sheave on upper intermediate
21. Route hoses through clamp piece on outer bracket and install second clamp piece, coverplate and bolts loosely.
22. Pull hoses to proper tension and tighten clamp bolts.

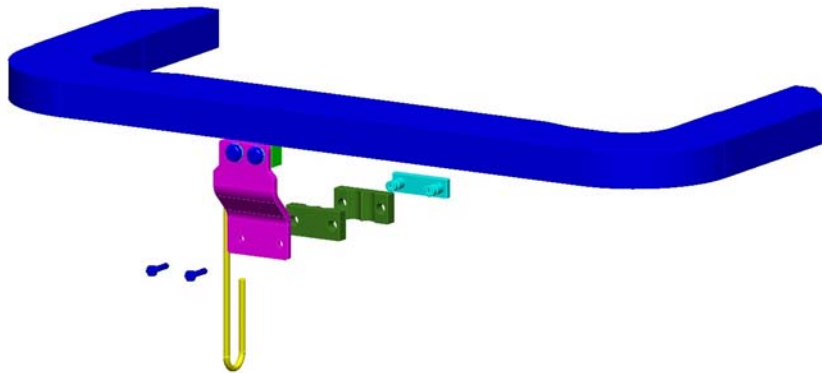
ENC: 1464	GENERIC DOUBLE IHR INSTALLATION INSTALLATION INSTRUCTIONS	DATE: 1/25/02
BY: MDODD		APP: BRIVES
CHANGE: RELEASE		245162 R0

# LIFT TECHNOLOGIES, INC.

23. At lower inner crossmember, route the outside left hose in front of the lower crossmember and the middle left hose behind the lower crossmember to left side bracket on lower inner (middle hose to inboard slot on clamp piece and outside hose to outboard slot on clamp piece) with gentle loop and install second clamp piece, coverplate and bolt tightly.
24. Route hoses up to the sheave at the upper intermediate crossmember shown below (install hoses onto sheave prior to installing sheave on bracket):



25. Route hoses down to bracket attached to the upper outer crossmember. Tension hoses and clamp using parts as shown:



26. Route hoses through guide bar on the above bracket and route hoses down to clamp piece on outer bracket and install second clamp piece, coverplate and bolts loosely.
27. Orient hoses so they follow an orderly path from upper bracket to clamp.

ENC: 1464	GENERIC DOUBLE IHR INSTALLATION INSTALLATION INSTRUCTIONS	DATE: 1/25/02
BY: MDODD		APP: BRIVES
CHANGE: RELEASE		245162 R0

Page 6 of 6