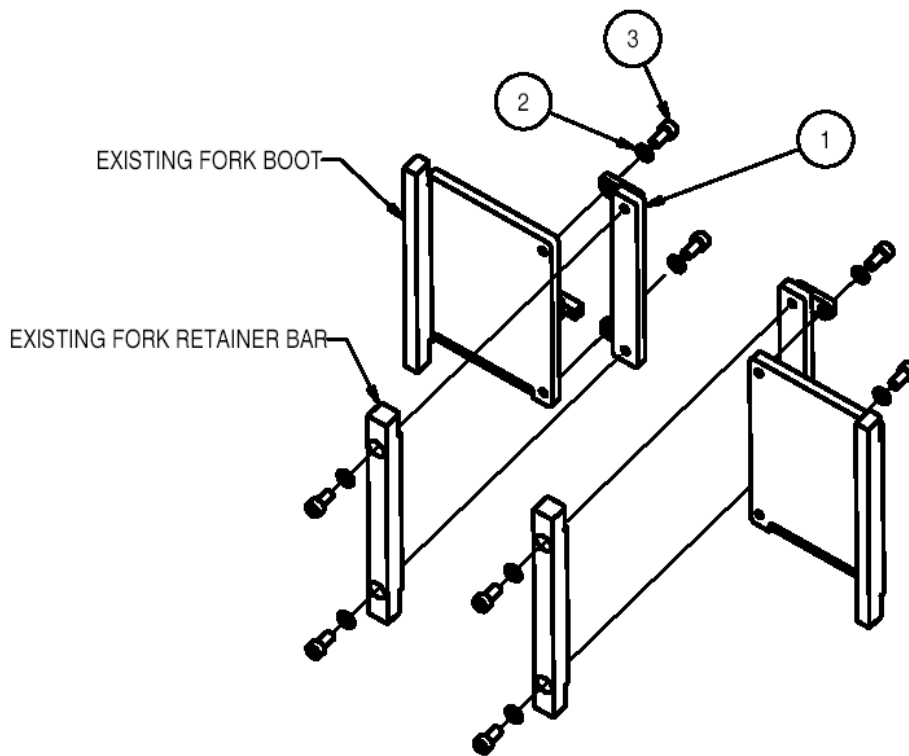


Maximser-Fork Position Kit Installation Instructions 5" Class II Fork Adapter

7040 South Highway 11 • Westminster, SC 29693 • Toll Free (888) 946-3330 • (864) 647-1119 • FAX (864) 647-6195

If the fork boots are installed on a carriage, remove the existing fork retainer bars. Fasten the fork adapter plate to the fork boot as shown. Install the 5" or 125mm forks on the carriage. Slide the fork in position on each fork boot. The fork retainer bar mount holes are not centered horizontally in the bar. Position the fork retainer bar to provide the tightest fit to the forks on the carriage. Tighten all the mount screws to 12 ft-lb or compress the lockwasher and then advance the screw 15 degrees.



LIFT-TEK ELECAR FORK ADAPTER KIT PART NUMBER: 254490

Parts List			
QTY	ITEM	PART NUMBER	DESCRIPTION
2	1	254488	5" CLASS 2 FORK ADAPTER PLATE
4	2	206315	M8 LOCK WASHER ZINC DIN127
4	3	768793	M8x16 SHCS 8.8 ZINC DIN912

For Technical Support ... or to Order Parts

Call: 1-888-946-3330 or Write: Lift Technologies, 7040 South Highway 11, Westminster SC 29693