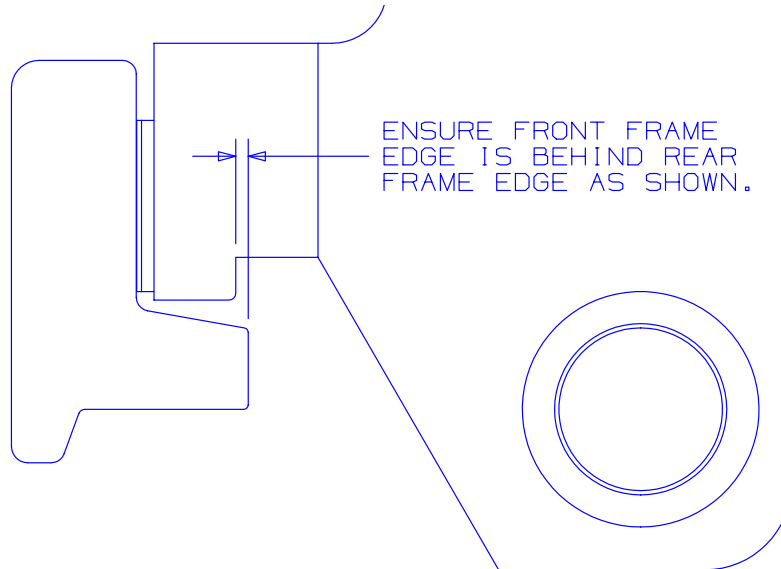


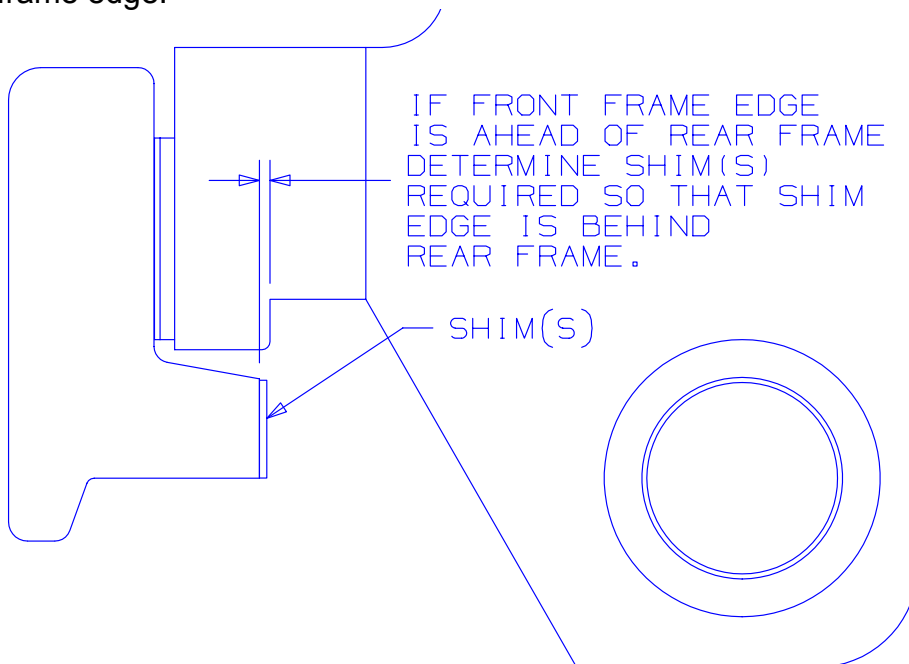
INSTALLATION INSTRUCTIONS 255818

7040 South Highway 11 • Westminster, SC 29693 • Toll Free (888) 946-3330 • (864) 647-1119 • FAX (864) 647-6195

In order to improve the fit of the front frame on the ISS and increase wear life, the lower wearpad thickness has been increased. As a result of this improvement the alignment between the lower front frame bar and lower rear frame bar must be checked to see if shimming of the lower retainer is required.



If front frame is forward of rear frame determine shims required so that shim surface is behind rear frame edge.

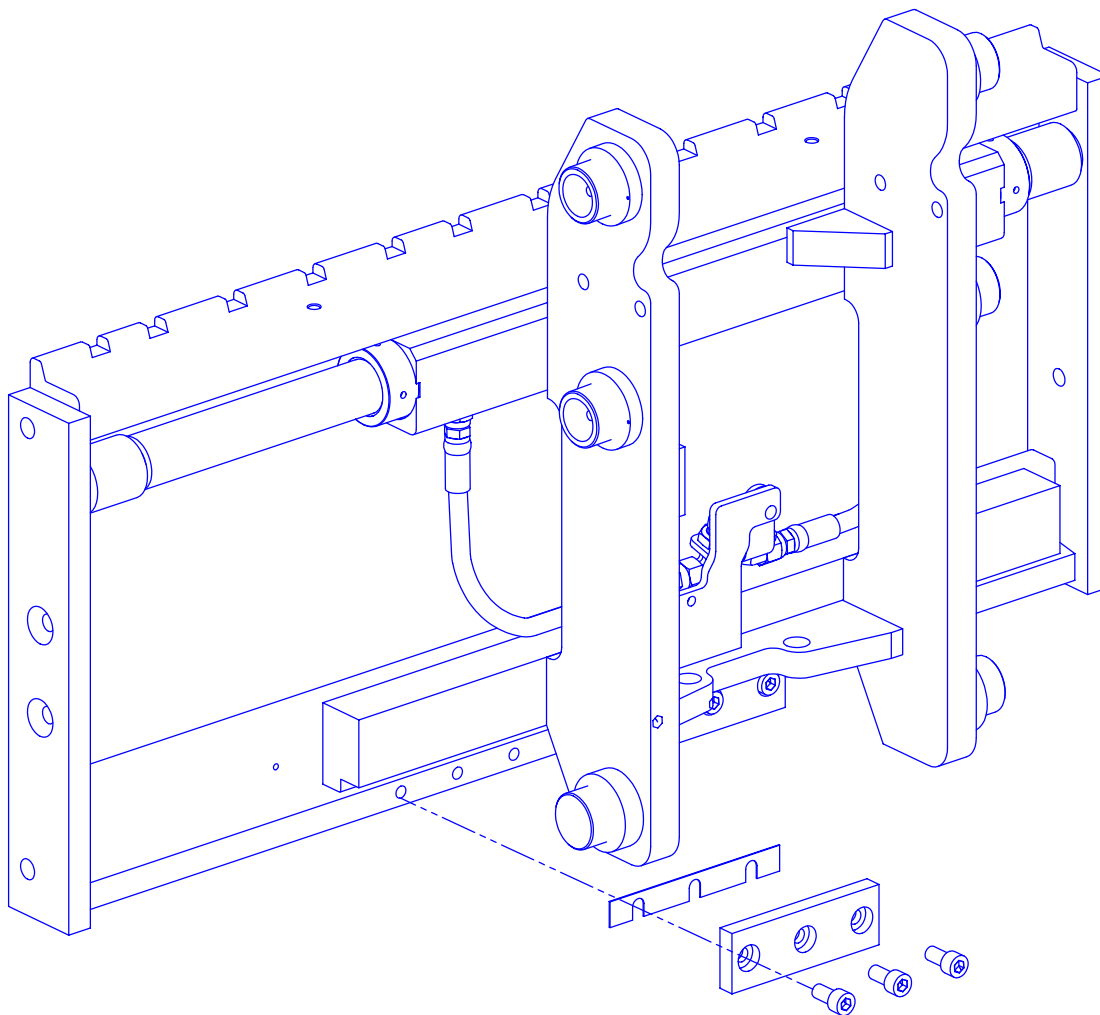


INSTALLATION INSTRUCTIONS 255818

7040 South Highway 11 • Westminster, SC 29693 • Toll Free (888) 946-3330 • (864) 647-1119 • FAX (864) 647-6195

Add appropriate shims between lower retainers and front frame when reinstalling lower retainers as shown below.

Note: When installing lower claw bolts ensure holes and bolts are clean, add Loctite 243 (or equivalent) to bolt holes and torque bolts to 44ft*lbs.



After lower retainers are installed slide front frame from full left to full right to ensure no interferences occur between moving parts.