

## INTEGRAL SIDESHIFTER BRONZE WEAR PAD INSTALLATION INSTRUCTIONS

### Procedure:

The kit can be installed in an LTI ISS by following the standard wear pad replacement procedure. The picture below shows the new wear pad locations:

### Note:

If the wear pad does not fully seat in the spine bar, grind one side of the wear pad boss (shown in figure 1) until proper fit can be acquired.

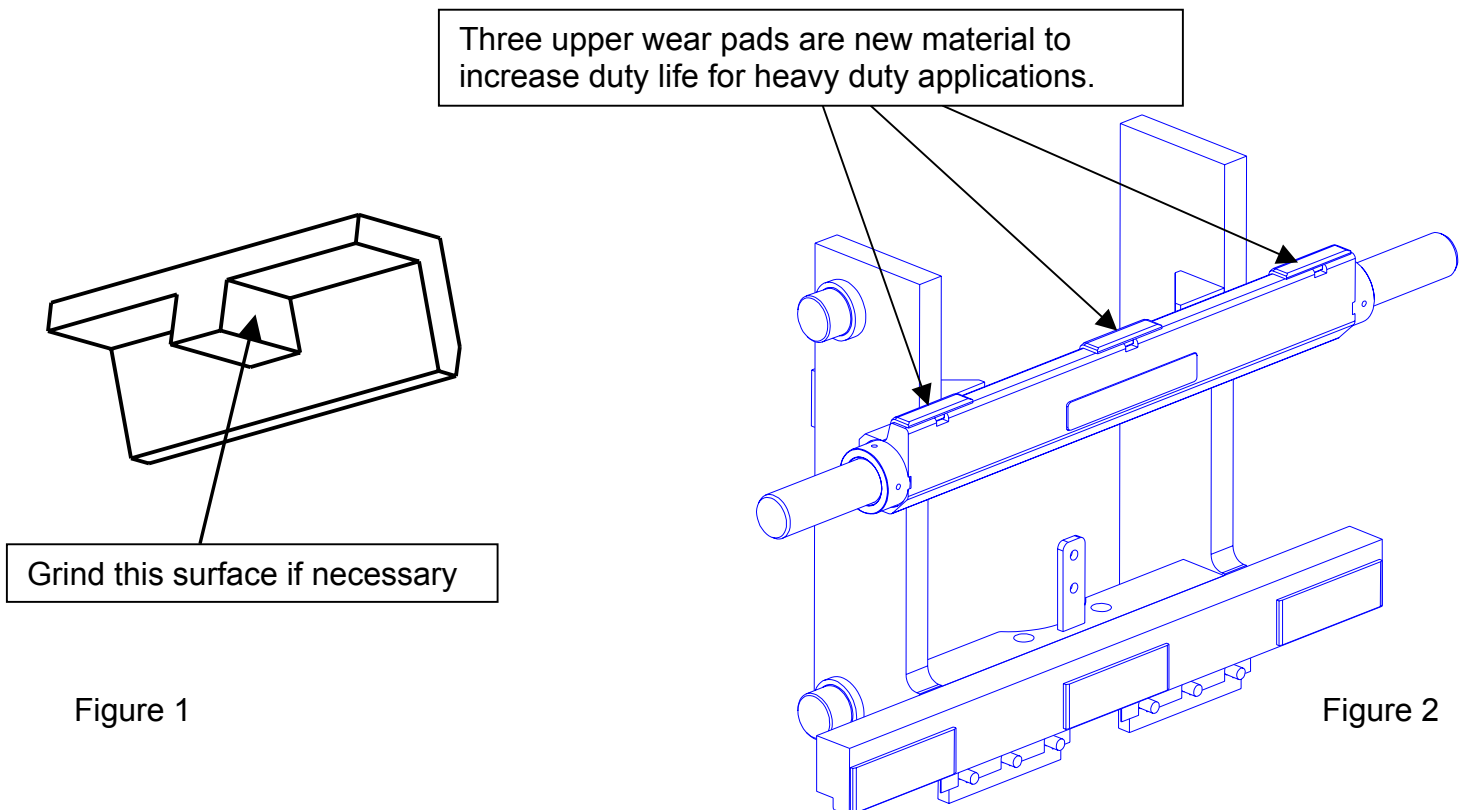


Figure 1

Figure 2