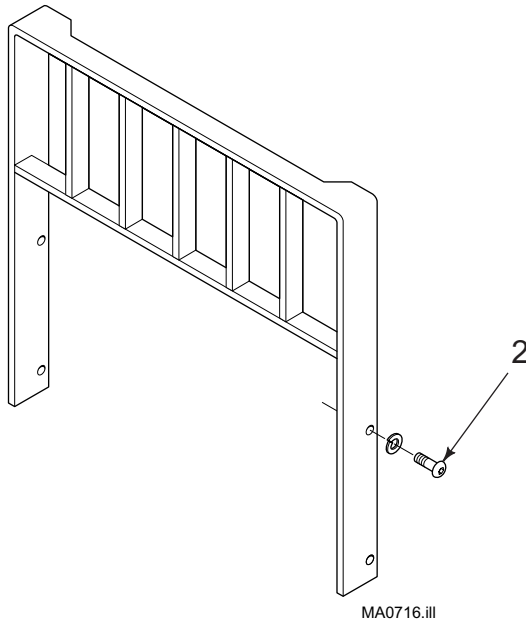


Installation Instructions



This sheet describes the procedures to install a Lift-Tek D-Series Backrest.

- 1 Install the backrest using the lockwashers and capscrews.
- 2 Tighten the capscrews to a torque of 145 ft.-lbs. (195 Nm).



NOTE: This information should not be interpreted as the basis for warranty claims unless so designated.

Part No. 684742 r1

For Technical Assistance . . .

Call: 1-888-946-3330

OR

Write: Lift Technologies, Inc., 7040 South Highway 11, Westminster, S.C. 29693